

TUBULAR DEADBOLTS AND CYLINDRICAL DEADLATCHES A-1

A200 Series Cylindrical Deadlatch
Grade 1



Specifications

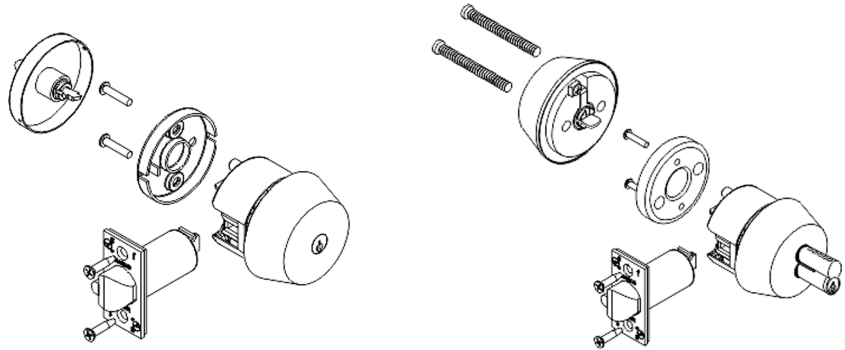
- Meets ANSI 156.5 Grade 1- 3 Hour Fire Rating
- Grade 1 Cylindrical Chassis
- Grade 1 Latchbolt 9/16"(14.2mm) x 1-1/8"(29mm) Strike
- Strike 2-3/4"(70mm)
- Latch Face 1-1/8"(28.6mm) x 2-1/4"(57mm)
- Door Thickness 1-3/4"(70mm)
- Available in 605, 606, 610, 613, 626, 629, 630



A250 Single Cylinder

A251 Communicating

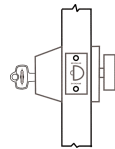
A252 Double Cylinder



A250
(E01101)

Single
Cylinder
Deadlatch

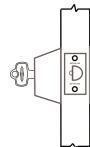
- Key From Outside Retracts Dead Locking Latchbolt
- Thumbturn From Inside Retracts Latchbolt



A251
(E0131)

Communicating
Deadlatch

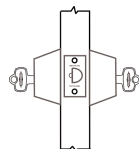
- Key From Outside Retracts Dead Locking Latchbolt
- Blank Plate From Inside



A252
(E01111)

Double
Cylinder
Deadlatch

- Key From Either Side Retracts Dead Locking Latchbolt



Auxiliary Locks



Model No A-2 (ANSI No)	Description	Function	Outside / Inside
A560 (E0151)	Single Cylinder Deadbolt	<ul style="list-style-type: none"> • Key From Outside Retracts or Projects Deadbolt • Thumbturn From Inside Retracts or Projects Deadbolt 	
A561 (E0161)	Communicating Deadbolt	<ul style="list-style-type: none"> • Key From Outside Retracts or Projects Deadbolt • Blank Plate From Inside 	
A562 (E0141)	Double Cylinder Deadbolt	<ul style="list-style-type: none"> • Key From Either Side Retracts or Projects Deadbolt 	
A563 (E0171)	Classroom Deadbolt	<ul style="list-style-type: none"> • Key From Outside Retracts or Projects Deadbolt • Thumbturn From Inside Retracts Deadbolt 	